

MTF 10 Series

Non Contacting Pedal Assembly - IP 67 Sealed and EMI Resistant



Typical applications

Accelerator pedal for electronic throttle control systems.

Features

Output: Single/dual analog, PWM, CAN bus SAE J1939

Switch: Single digital

With kick-down feeling & switch

Dual load/return force generation: FMVSS 124 compliant

Connector: Standard: AMP J-series. Option: Delphi, Deutch or Free wire leads.



General specifications

Life: 10 M cycles at full travel.

Electronics:

- Seal integrity: IP 67
- ESD: According to IEC 61000-4-2
- EMS: Per ISO 11452-2 (2004E)
- Input voltage: 5 Vdc (12/24/48/72 on request)
- Output signals:
 - Analog output 0.5 - 4.5 Vdc
 - Digital output Vbatt 12/24 Vdc
 - PWM 5-95 % duty cycle

Mechanical:

- Pedal travel: 17.5° +/- 2°
- Pedal force: initial load 30 N min, full throttle 60 N max. Measured at a point of 150 mm from the pedal pivot axis.
- End-break: 160 kgf +/- 5 kgf
- With kick down feeling & switch

Environment:

- Operation temp: -40 - +85°C
- Storage temp: -40- + 105°C
- Vibration: Subject to broadband random vibration between 20 and 2000 Hz for 20 hrs in all 3 axis
- Shock: After exposed to acceleration 20 G for 11 ms
- Salt fog: After exposed to salt fog 96 hours (JIS Z2371)
- Impact: Free drop onto a smooth concrete floor from a height of one meter, a total of 6 times

Note: The technical specification may change without advance notice.

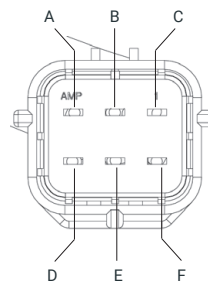
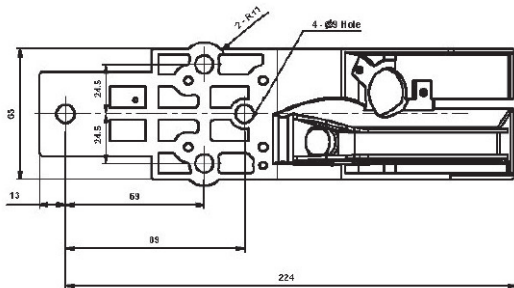
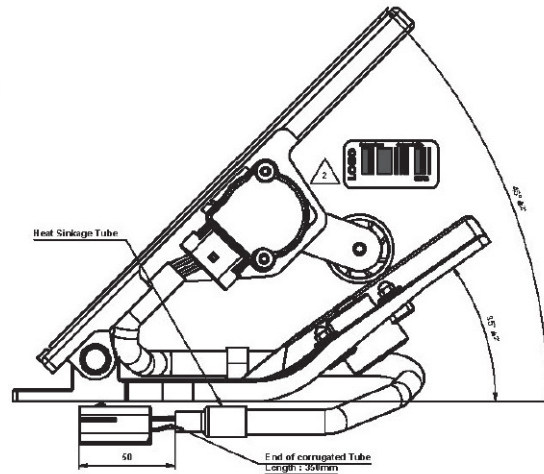
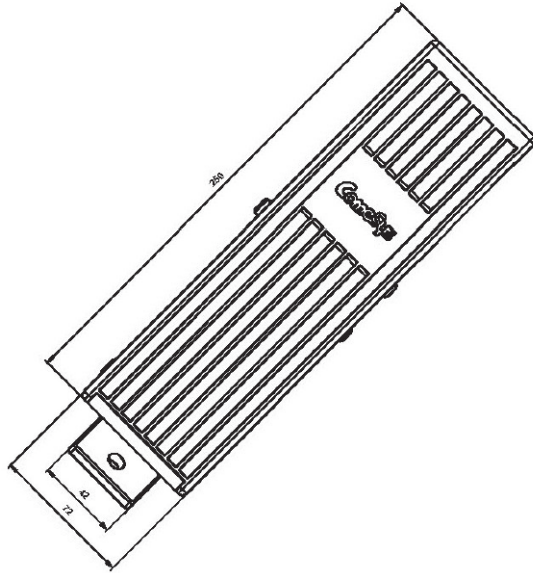
Rev. 180416-01

MTF 10 Series

Non Contacting Pedal Assembly - IP 67 Sealed and EMI Resistant



Product details



| Position | Description | Color |
|----------|----------------------|--------|
| A | Power Input | Red |
| B | Pedal signal output | Green |
| C | Ground (signal) | Black |
| D | Switch Common | Yellow |
| E | FS3 (IVS3), NO | Blue |
| F | Kick Down Switch, NO | Pink |

Ordering information, standard types

| Type | Pedal angle | Output | Part-no. |
|--------|-------------|----------------------|---------------|
| MTF 10 | 45° | 1 analog + 1 digital | 120010MTF1000 |
| MTF 10 | 45° | 2 x analog | 120010MTF1010 |
| MTF 10 | 45° | PWM | 120010MTF1020 |