

MTF 2/3 Series

Non Contacting Pedal Assembly - IP 67 Sealed and EMI Resistant



Typical applications

Accelerator pedal for electronic throttle control systems.

Features

Output: Single/dual analog, PWM,
CAN bus SAE J1939

Switch: Single digital

Hysteresis: Dual load/return force
generation in compliance with FMVSS
124

Compact size.

Weight: Approx. 650 g

Connector: Standard: AMP J-series.
Option: Delphi, Deutch, Packard
weather seal or as requested.



General specifications

Life: 10 M cycles at full travel.

Electronics:

- Seal integrity: IP 67
- ESD: According to IEC 61000-4-2
- EMS: Per ISO 11452-2 (2004E)
- Input voltage: 5 Vdc (12/24/48/72 on request)
- Output signals:
 - Analog output 0.5 - 4.5 Vdc
 - Digital output Vbatt 12/24 Vdc
 - PWM 5-95 % duty cycle

Mechanical:

- Pedal travel: 17.5° +/- 2°
- Pedal force: initial load 9 N min, full throttle 33 N max. Measured at a point of 150 mm from the pedal pivot axis.
- End-break: 160 kgf +/- 5 kgf

Environment:

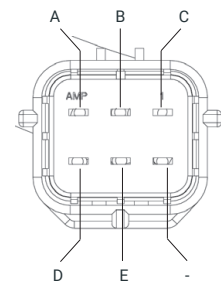
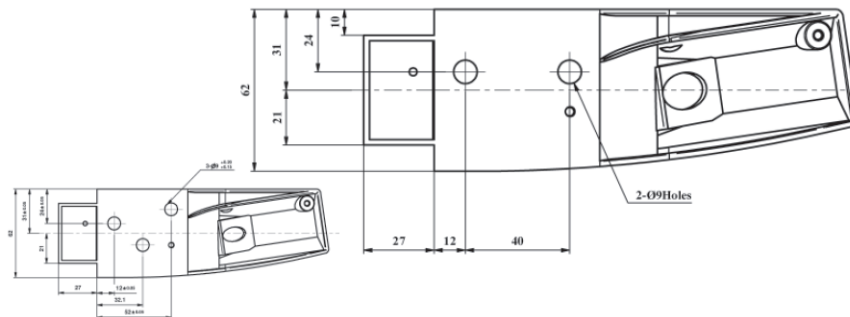
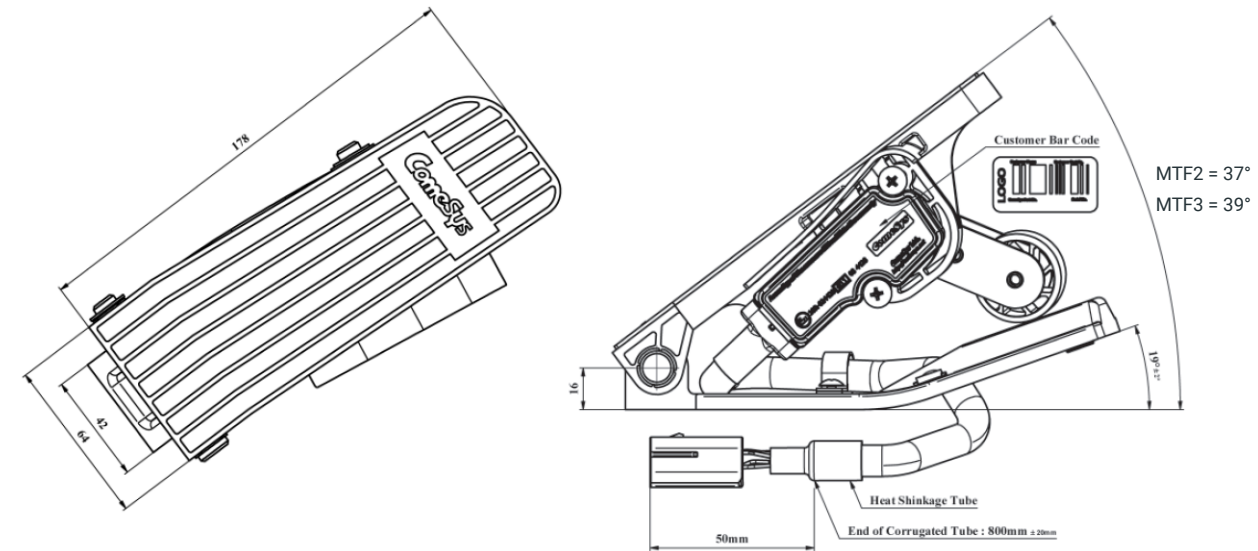
- Operation temp: -40 - +85°C
- Storage temp: -40- + 105°C
- Vibration: Subject to broadband random vibration between 20 and 2000 Hz for 20 hrs in all 3 axis
- Shock: After exposed to acceleration 20 G for 11 ms
- Salt fog: After exposed to salt fog 96 hours (JIS Z2371)
- Impact: Free drop onto a smooth concrete floor from a height of one meter, a total of 6 times

MTF 2/3

Non Contacting Pedal Assembly - IP 67 Sealed and EMI Resistant



Product details



Position	Description	Color
A	Power Input	Red
B	Pedal signal output	Green
C	Ground (signal)	Black
D	Switch Common	Yellow
E	FS3 (IVS3), NO	Blue
-	-	-

Ordering information, standard types

Type	Pedal angle	Output	Part-no.
MTF 2	37°	1 analog + 1 digital	120010MTF200
MTF 2	37°	2 x analog	120010MTF210
MTF 2	37°	PWM	120010MTF220
MTF 2	37°	CAN-bus J1939	120010MTF230

Type	Pedal angle	Output	Part-no.
MTF 3	39°	1 analog + 1 digital	120010MTF300
MTF 3	39°	2 x analog	120010MTF310
MTF 3	39°	PWM	120010MTF320
MTF 3	39°	CAN-bus J1939	120010MTF330