

MTF 5 Series

Non Contacting Pedal Assembly - IP 67 Sealed and EMI Resistant



Typical applications

Accelerator pedal for electronic throttle control systems.

Features

Output: Single/dual analog, PWM, CAN bus SAE J1939

With forward & reverse mechanism.

Spring mechanism: Three return springs, inner, outer torsion and extension spring. Incorporated to return pedal to idle on release of actuation force.

Illumination: 2 LEDs (red and blue arrow)

Connector: Standard: AMP J-series.



General specifications

Life: 3 M cycles at full travel.

Electronics:

- Seal integrity: IP 67
- ESD: According to IEC 61000-4-2
- EMS: Per ISO 11452-2 (2004E)
- Input voltage: 5 Vdc (12/24/48/72 on request)
- Output signals:
 - Analog output 0.5 - 4.5 Vdc
 - Digital output Vbatt 12/24 Vdc
 - PWM 5-95 % duty cycle

Mechanical:

- Pedal travel: 38° +/- 2°
- Pedal force: initial load 20 N min, full throttle 60 N max. Measured at a point of 163 mm from the pedal pivot axis.

Environment:

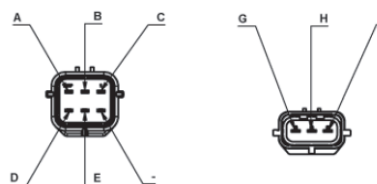
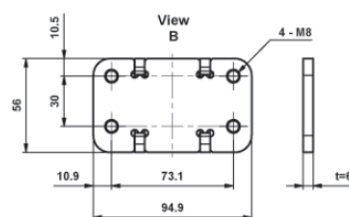
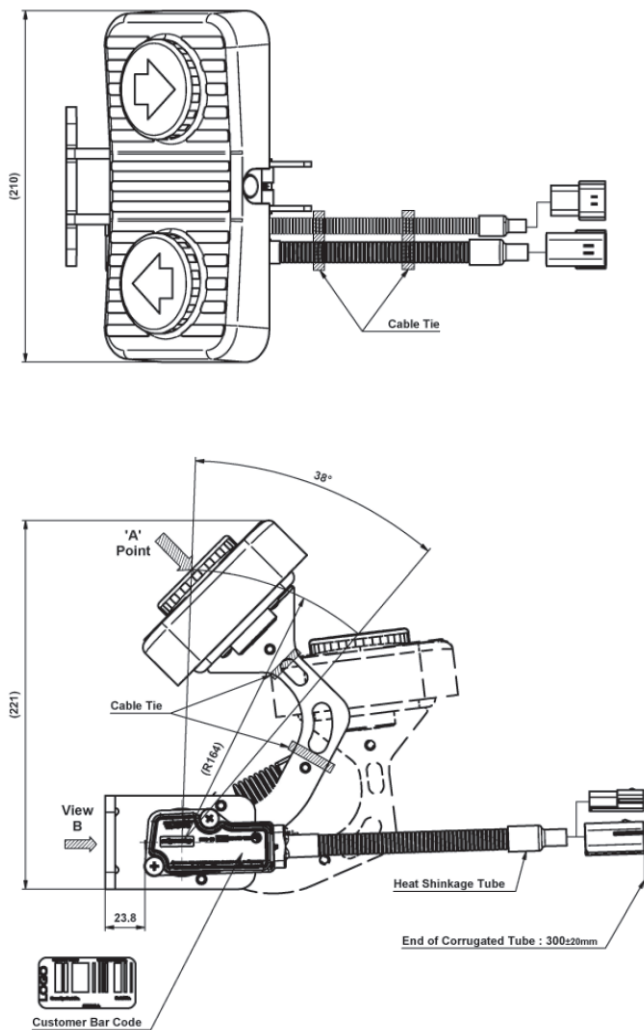
- Operation temp: -40 - +85°C
- Storage temp: -40 - +105°C
- Vibration: Subject to broadband random vibration between 20 and 2000 Hz for 20 hrs in all 3 axis
- Shock: After exposed to acceleration 20 G for 11 ms
- Salt fog: After exposed to salt fog 96 hours (JIS Z2371)
- Impact: Free drop onto a smooth concrete floor from a height of one meter, a total of 6 times

MTF 5 Series

Non Contacting Pedal Assembly - IP 67 Sealed and EMI Resistant



Product details



Position	Description	Color
A	Power Input	Red
B	Pedal signal output	Green
C	Ground (signal)	Black
D	Switch, NO	Yellow
E	Switch, NO	Blue
-	-	-
G	F/R Switch Common	White
H	Forward Switch	Orange
I	Reverse Switch	Violet

Ordering information, standard types

Type	Pedal angle	Output	Part-no.
MTF 5	38°	1 analog + 1 digital	120010MTF500
MTF 5	38°	2 x analog	120010MTF510
MTF 5	38°	PWM	120010MTF520
MTF 5	38°	CAN-bus J1939	120010MTF530