

MTS 2 Series

Non Contacting Pedal Assembly - IP 67 Sealed and EMI Resistant



Typical applications

Accelerator pedal for electronic throttle control systems.

Features

Output: Single/dual analog, PWM, CAN bus
SAE J1939

Integrated sensor: Detachable

Switch: Single digital

Hysteresis: Dual load/return force generation
in compliance with FMVSS 124

Compact size.

Weight: Approx. 300 g

Connector: Standard: AMP J-series. Option:
Delphi, Deutch, Packard weather seal or as
requested.



General specifications

Life: 10 M cycles at full travel.

Electronics:

- Seal integrity: IP 67
- ESD: According to IEC 61000-4-2
- EMS: Per ISO 11452-2 (2004E)
- Input voltage: 5 Vdc (12/24/48/80 on request)
- Output signals:
 - Analog output 0.5 - 4.5 Vdc
 - Digital output Vbatt 12/24 Vdc
 - PWM 5-95 % duty cycle

Mechanical:

- Pedal travel: 19° +/- 2°
- Pedal force: initial load 15 N min, full throttle 33 N max. Measured at a point of 150 mm from the pedal pivot axis.
- End-break: 160 kgf +/- 5 kgf
- Optional KDF: Position adjustable

Environment:

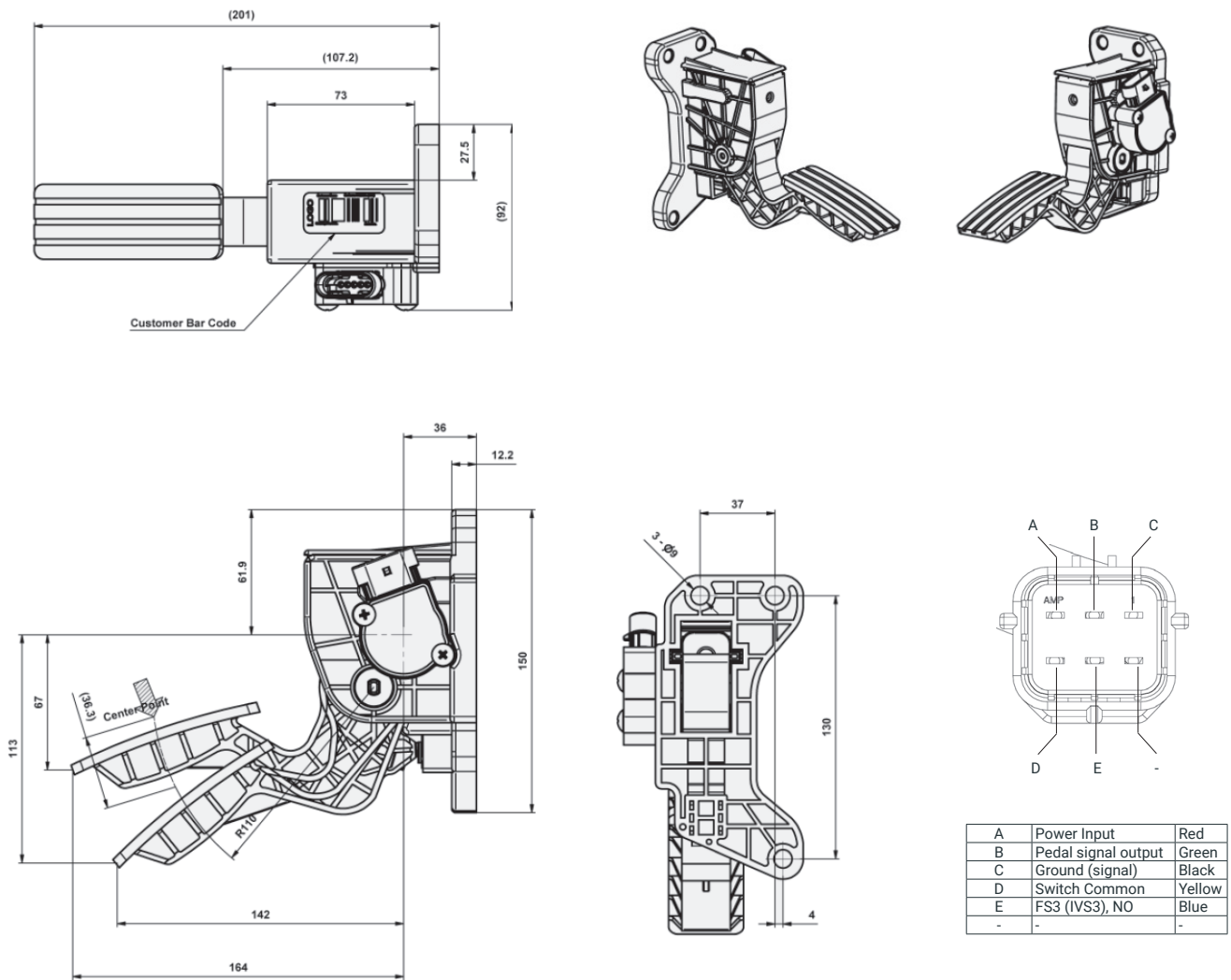
- Operation temp: -40 - +85°C
- Storage temp: -40- + 105°C
- Vibration: Subject to broadband random vibration between 20 and 2000 Hz for 20 hrs in all 3 axis
- Shock: After exposed to acceleration 20 G for 11 ms
- Salt fog: After exposed to salt fog 96 hours (JIS Z2371)
- Impact: Free drop onto a smooth concrete floor from a height of one meter, a total of 6 times

MTS 2 Series

Non Contacting Pedal Assembly - IP 67 Sealed and EMI Resistant



Product details



Ordering information, standard types

Type	Output	Part-no.
MTS 2	1 analog + 1 digital	120015MTS200
MTS 2	2 x analog	120015MTS210
MTS 2	PWM	120015MTS220
MTS 2	CAN-bus J1939	120015MTS230