

Pressure Sensor

Fully Sealed, Stainless Steel Construction



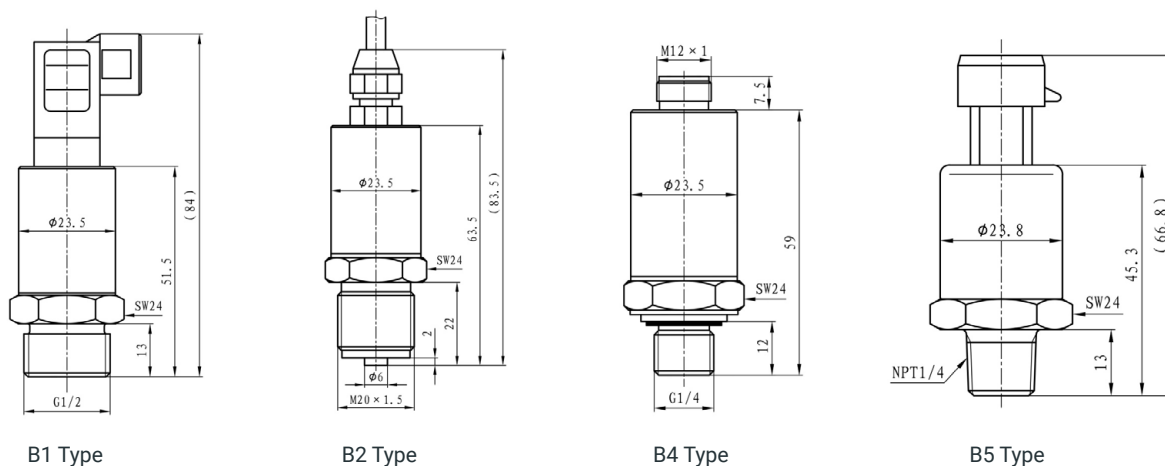
The HTPS 4511 pressure sensor has a pressure chamber made of a single, solid stainless steel piece and an all-metal sealing structure. It features overall digital calibration and temperature compensation.

Features

- Range: 0 BAR - 7 BAR ... 2500 BAR
- Temperature compensated
- Integrated stainless steel construction, fully sealed
- Micro-fused, heat and shock resistant
- Compact structure
- Wide working temperature range



Dimensions



Specifications

Pressure range: 0 BAR-7 BAR...2500 BAR

Over pressure: 3 FS (1.2 FS for range > 1000 BAR)

Burst pressure: 5 FS (1.5 for range > 1000 BAR)

Power supply: 8 V - 28 VDC or 5 VDC

Output signal: 4 - 20 mA DC, 0.5 - 4.5 VDC

Accuracy: 0.5 rating or 1.0 rating

Compensation temperature: -10°C - 80°C

Working temperature: -40°C - 125°C

Storage temperature: -40°C - 125°C

Material: 17-4PH stainless steel

Pressure Sensor

Fully Sealed, Stainless Steel Construction



Electrical connection

Definition	B1 Plug Type Hirschmann (mini) Plug		B1 Wire Color Cable		B4 Plug Type M12x1 4-pin Plug		B5 Plug Type Packard Plug	
	Current (2-wire)	Voltage (3-wire)	Current (2-wire)	Voltage (3-wire)	Current (2-wire)	Voltage (3-wire)	Current (2-wire)	Voltage (3-wire)
			/					
+V	1	1	Black	Black	1	1	+V	+V
+OUT	2	2	Red	Red	3	3	+OUT	+OUT
GND	Null	⊥	Null	Yellow (Blue)	Null	2(4)	Null	⊥

Ordering information

HTPS4511	Pressure Sensor	
	Range	0 kPa - 7 BAR ... 2500 BAR
	[0-X]BAR	X: Actual measured range
	Code	Output signal
	E	4 mA - 20 mA DC
	K	0.5 - 4.5 VDC
	Code	Connection
	B1	4-pin plug (Hirschmann)
	B2	Cable
	B4	4-pin plug (M12x1)
	B5	Packard plug
	C1	M20x1.5 male
	C2	G1/4 male
	C3	G1/2 male
	C6	NPT1/4 male
	C16	G3/8 male
HTPS4511	[0-100]BAR	K B1C6

Combine without spaces for complete part number.

Notes:

1. For code B2, the default cable length is 0.5 meter.
2. For pressure ≥ 200 BAR, only G1/2 and M20x1.5 male pressure connections are supplied.
3. Customized products are available upon request.